

Pure LED Highbay Light



160LM/W

UGR<19

IP65 IK08

Features:

1. Up to Luminaire efficiency 130-160 lm/w; Led Module efficiency 190 lm/w
2. Well suitable for Aesthetically demanding spaces
3. Heat sink with PC reflector, unique appearance
4. Low operating temperature, makes it extremely versatile under different easy/hard operating conditions
5. UGR<19
6. PC reflector design/Anti-glare
7. Easy Installation
8. 5 Years Guarantee

Pure LED Highbay Light Specification

Pure LED Highbay Light



FWD Pure LED Highbay Light are using SMD2835 luminous source, providing excellent lumen output, long-lasting stability and splendid sight. Pure Series LED High Bay lights are using high-end LED driver with long lifespan. Provide 5 years warranty on luminaire.

Model Rule

PH-80W-OO-SL PH-80W-OO-HL

PH: Pure LED Highbay Light

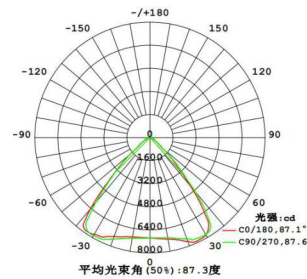
80W: Power

OO: On/Off, Non-Dimmable

SL: Standard Light Efficiency, 130lm/w

HL: High Light Efficiency, 160lm/w

Average beam angle(50%):90°



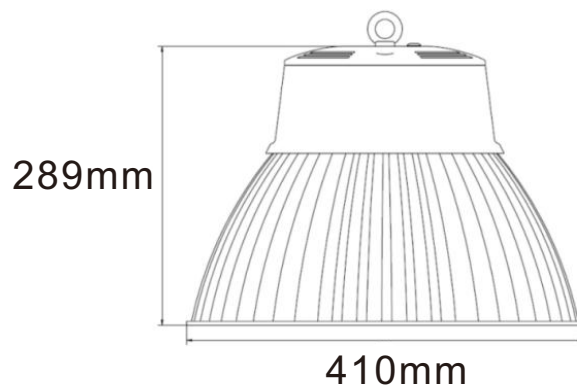
Beam Angle:90°

Luminaire Body

Unique thermal design, Big size, stable product performance.



Dimension Data



Pure LED Highbay Light

Technical Data

Model No.	PH-80W-OO-SL	PH-120W-OO-HL
Norminal Wattage	80W	120W
Dimension(mm)	D410*289mm	D410*289mm
Weights	2.50kg	
Input Voltage AC	AC90-305V	
LED Brand	SMD2835	
Function	On/Off, Triac/0-10V/Dali Optional	
Driver Brand	MOSO, other brands upon request	
Operating Temperature	-30 to +50°C	
Power Factor(PF)	>0.9	
THD	<20%	
Lumen Output(+/-5%)	10400Lm	15600Lm
Luminarie Efficiency(+/-5%)	130lm/w, 160lm/w Optional	
Beam Angle	90°	
Ra	Ra>80	
CCT	3000K/4000K/5000/5700K	
Rating	IP65 IK08	
Material	PC + ABS	
Installation	Hanging ring installation/Rail track installation	
Accessories(Optional)	Reflectors/ Motion Sensor/ PIR Sensor/ Day light Sensor for Optional	
Shell Color	White	
Lumen Maintenance	>50,000H L70/B50 at 25°C	
Certifications	CE RoHS	

Installation

Hanging ring installation

