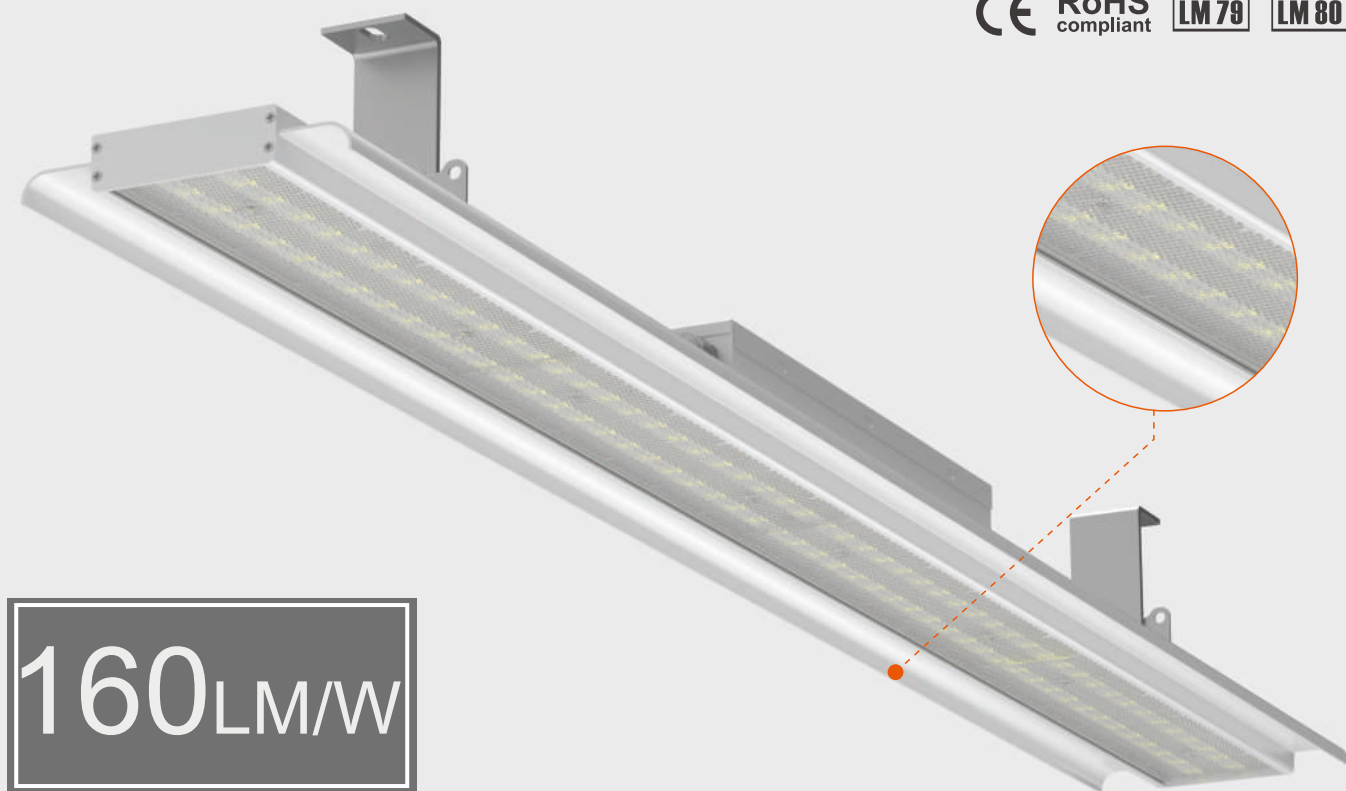


AirLux LED Linear Highbay Light

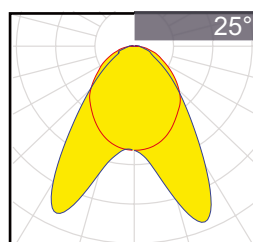
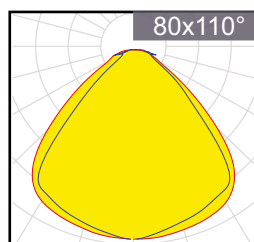
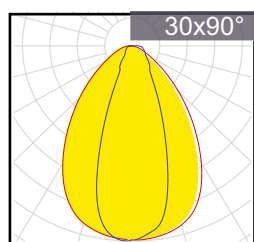


CE RoHS compliant LM 79 LM 80 TM 21



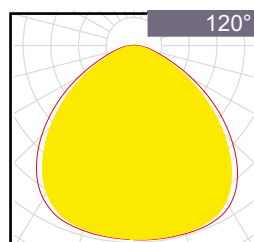
160 LM/W

Lens Options: 30°/90°/80°/110°/asymetric 25°

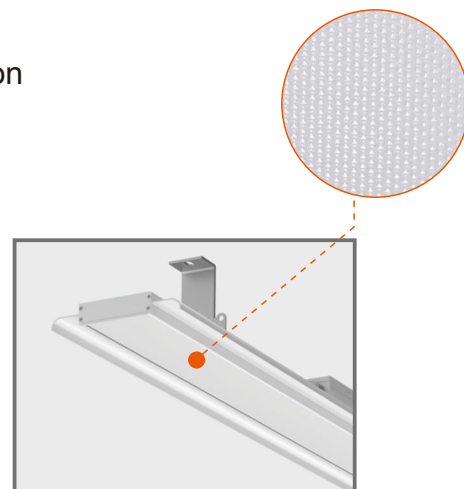


Special lens and PCB design makes perfect straight line light distribution

Lens Options: 120°



Anti-Glare kerafym diffuser plate provides more soft and uniform light



AirLux LED Linear Highbay Light Specification



IK08



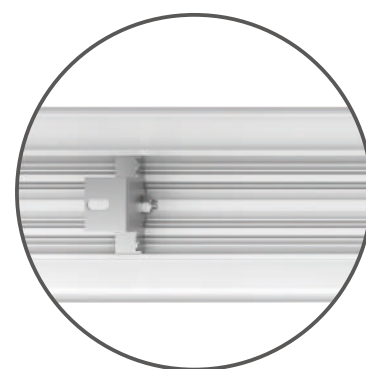
- AC100-277V
- 40~+60°C
- IP54
- IK08
- 6KV Surge Protection
- RG 0/1
- 50,000H
- Wireless
- Dimmable
- Emergency
- +90% Efficient
- INSTANT FULL LIGHT
- 100% WARRANTY



Philips led



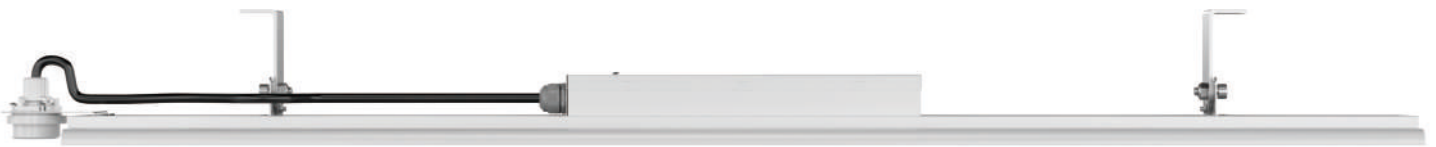
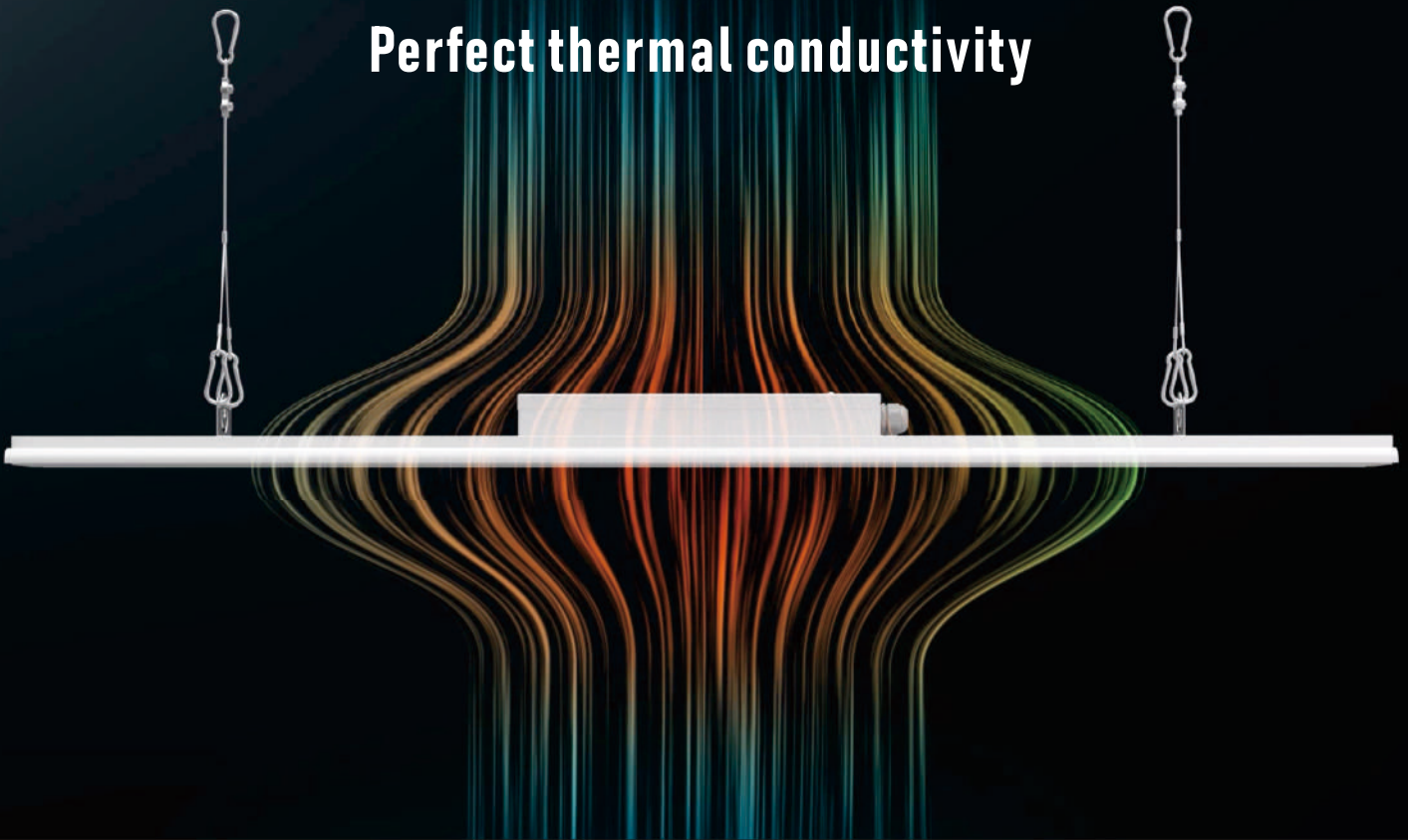
Sosen Driver



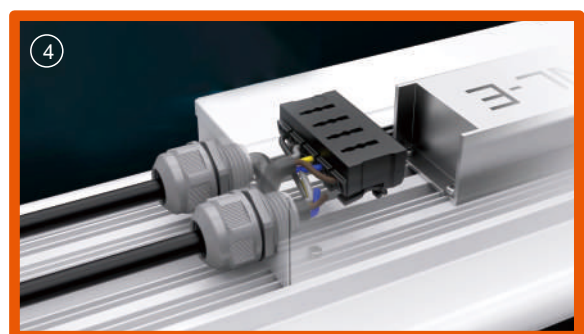
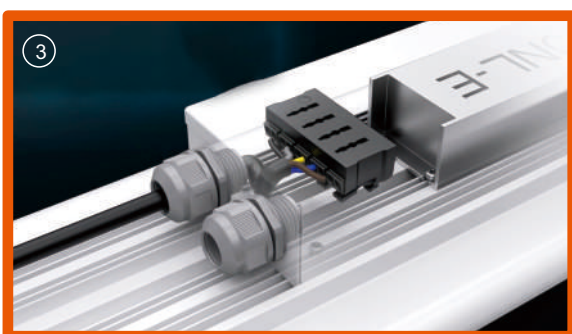
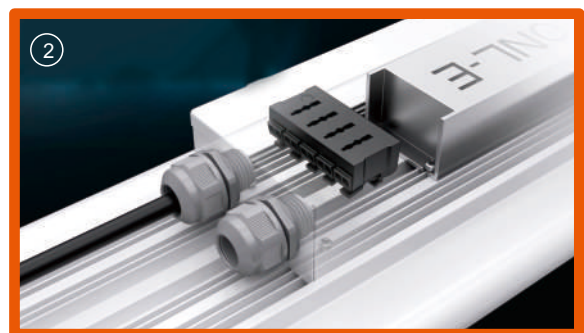
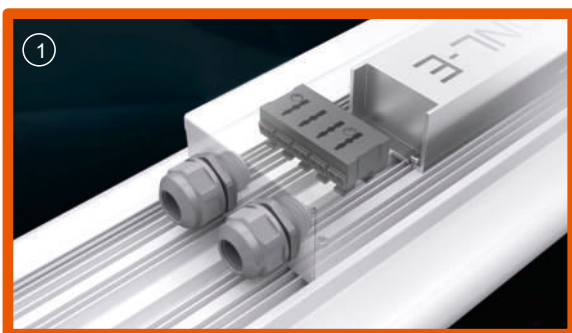
Pure Aluminum Housing



Perfect thermal conductivity

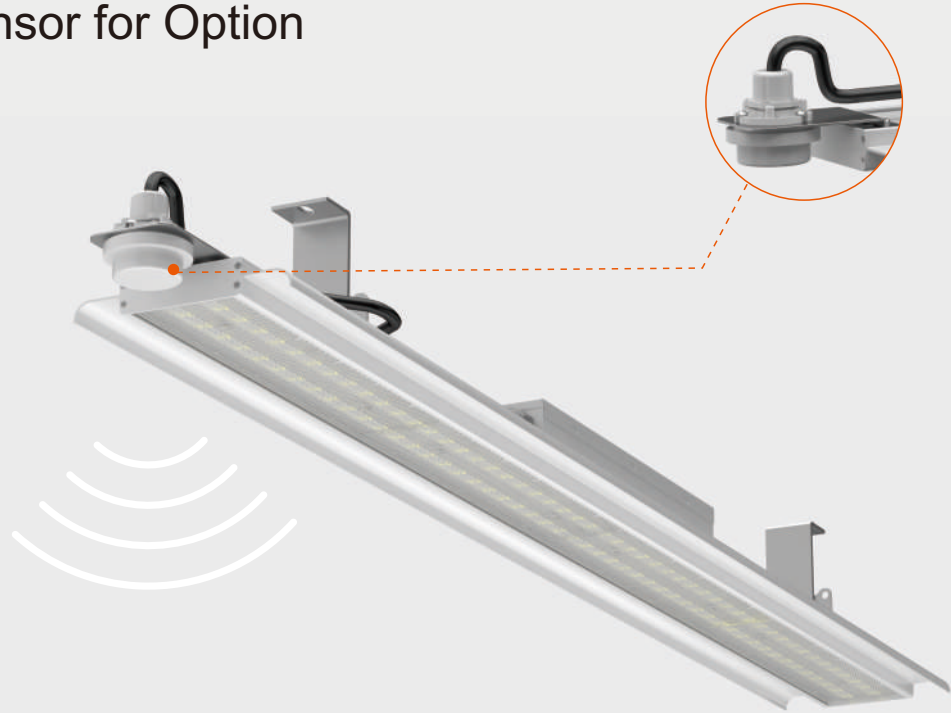


Open the junction box and connect to the terminal inside



With sensor

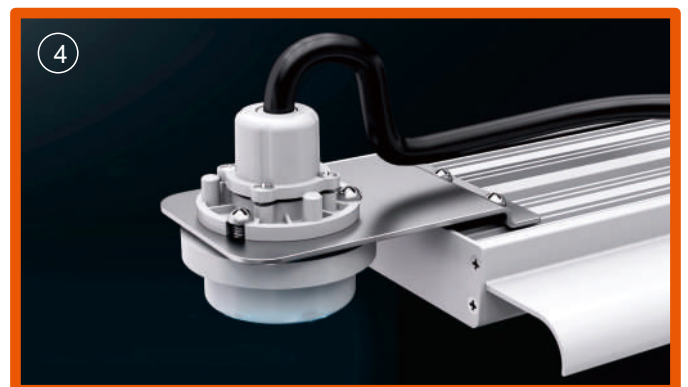
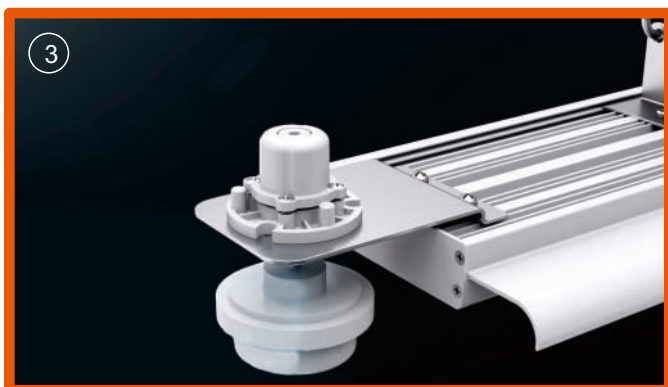
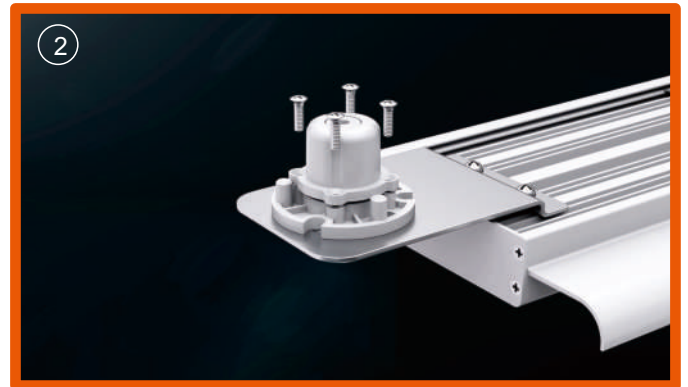
Quick Plug-in Sensor for Option



Microwave
Sensor

The light switches on at 100% when movement is detected and then dim down when no movement is detected.

Quick and Easy Sensor Installation



AirLux LED Linear Highbay Light



Technical Data

Model No.	ALHB-100	ALHB-150	ALHB-200	ALHB-240
Norminal Wattage	100W	150W	200W	240W
Dimension(mm)	L576*W150*H59mm	L862*W150*H59mm	L1148*W150*H59mm	L1434*W150*H59mm
Weights	1.9kg	2.5kg	3.1kg	3.7kg
Input Voltage AC	AC100-277V 50/60Hz			
LED Brand	Philips			
Dimming Control	PWM, 0/1-10V ,Dali Optional			
Driver	Sosen			
Operating Temperature	-40 to +60°C			
Power Factor(PF)	>0.95			
THD	<15			
Protection	OTP, OCP, OPV, SCP			
Luminarie Efficiency(+/-5%)	160lm/w			
Beam Angle	30*90° / 80*110° / asyemtric 25°, (kerafyrm diffuser)120°			
CRI	Ra>80 (80/90 for optional)			
CCT	3000K/4000K/5000K/5700K/6500K			
Rating	IP54 IK08			
Housing	Pure Aluminum A6063			
Installation	Suspension, Surface mounting			
Warranty	5 years			
Thermal Conductivity:	226W/m • K			
Lifetime	>50,000h			
Certifications	CE, RoHS,LM79,LM80			

AirLux LED Linear Highbay Light



Installation



Packaging

POWER	PACKAGE SIZE	QTY/CTN	NET WEIGHT	GROSS WEIGHT
100W	L655*W430*H285mm	4PCS/CTN	7.6kg	13.0kg
150W	L945*W430*H285mm	4PCS/CTN	10.0kg	16.2kg
200W	L1235*W430*H285mm	4PCS/CTN	12.4kg	18.6kg
240W	L1525*W430*H285mm	4PCS/CTN	14.8kg	21.4kg