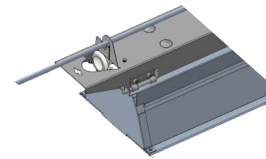


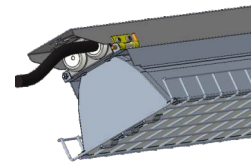


Osram TDC Driver
(Touch-Dim · Dali and Corridor Function)

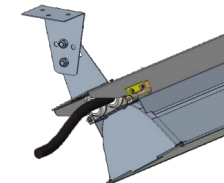
szAMB Spacecraft High-Performance Glare Free Industrial LED Linear Luminaire SPECIFICATION



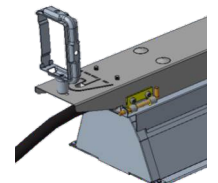
Integrated Wirebracket



Sports hall system



Adjustable bracket






Rail bracket



Product Brief

'Spacecraft' Glare Free Industrial LED Linear Luminaire is an innovative retrofit lighting product for Commercial and Industrial areas. It is perfect for high ceiling lighting application places, such as Garage, Car Shop, Basement, Warehouse, Sports Hall, Supermarket, Parking Lot, Factory. Adopted premium lumen SMD LEDs bring the best lighting with super high luminous efficiency of 165-175lm/w. It's UGR<19 Anti-Glare design, and equipped with Osram driver which is adjustable with TDC (Touch-Dim. Dali and Corridor Function).

Working Conditions

| | | |
|---|---|--|
|  +40°C ~ -20°C Operating |  +60°C ~ -30°C Storage |  10%~85% Humidity |
|---|---|--|

S/N Rules

MP X A - M - XXW TDC { Ex MP 5 A - M - 80W TDC }

① ② ③ ④ ⑤ ⑥ ① ② ③ ④ ⑤ ⑥

- ① MP: Metal Plate
- ② X(5):Length,1500mm(5ft);1200mm(4ft)...
- ③ A:Product Structure Series
- ④ M:Medium, N:Narrow, W:Wide
- ⑤ XXW(80W):Power Consumption
- ⑥ TDC:Touch-Dim, 0-10v,Dali, and corridor function

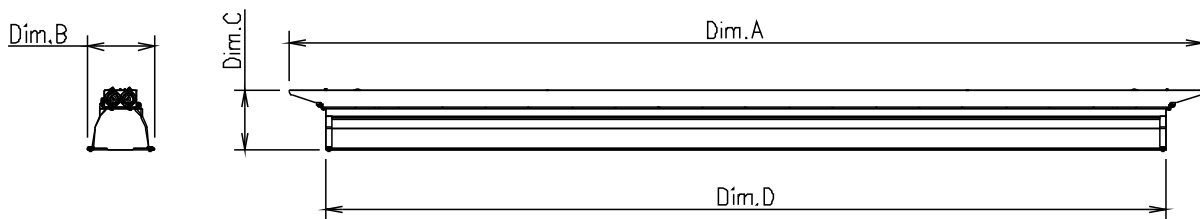


Features

- › Super high luminous efficiency 165-175lm/w;
- › Aluzinc housing and endcaps, light and thin, easy to carry and install;
- › Metallised aluminum reflector with USA Brightview Diffusion Technology design, which largely reduce the glare, UGR<19
- › 60° , 90° beam angle for options;
- › Internal 2.5mm² standard wiring with 5 poles terminal block, easy installation;
- › Use Osram driver which is adjustable with TDC(Touch-Dim. Dali and Corridor Function);
- › Multiple mounting options, Ceiling Mounted, Integrated Wirebracket/ Rail Bracket Mounted/ Adjustable Bracket Mounted
- › Optional Protective Grille to protect the fixture from ball-collision for Sport Hall Application
- › 5 years warranty time

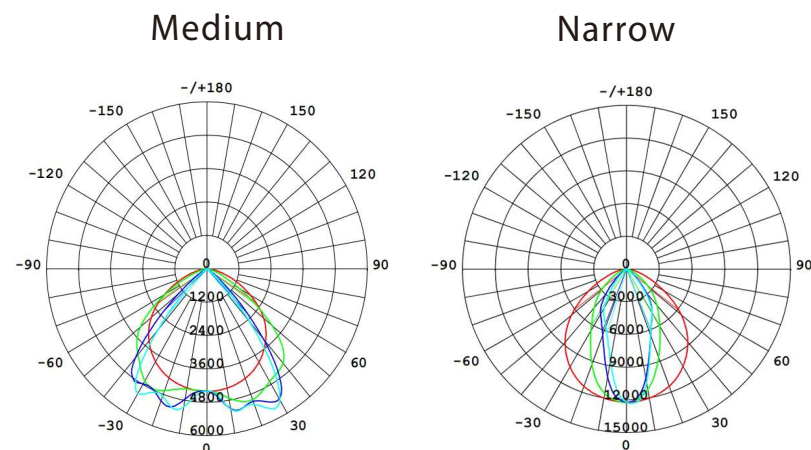


Dimension Unit:mm



| Model No. | Dim.A | Dim.B | Dim.C | Dim.D |
|-----------------|-------|-------|-------|-------|
| MP5A-M-XXW(TDC) | 1610 | 118 | 106 | 1500 |
| MP5A-N-XXW(TDC) | 1610 | 135 | 106 | 1500 |

Light Distribution Curve

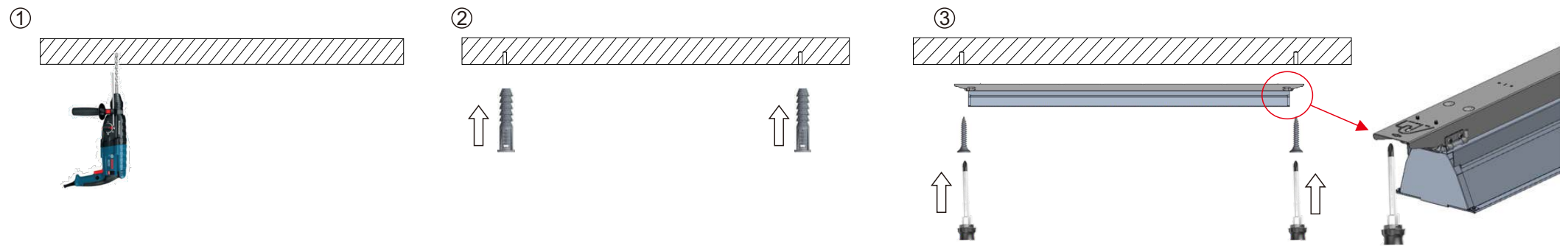


Technical Data

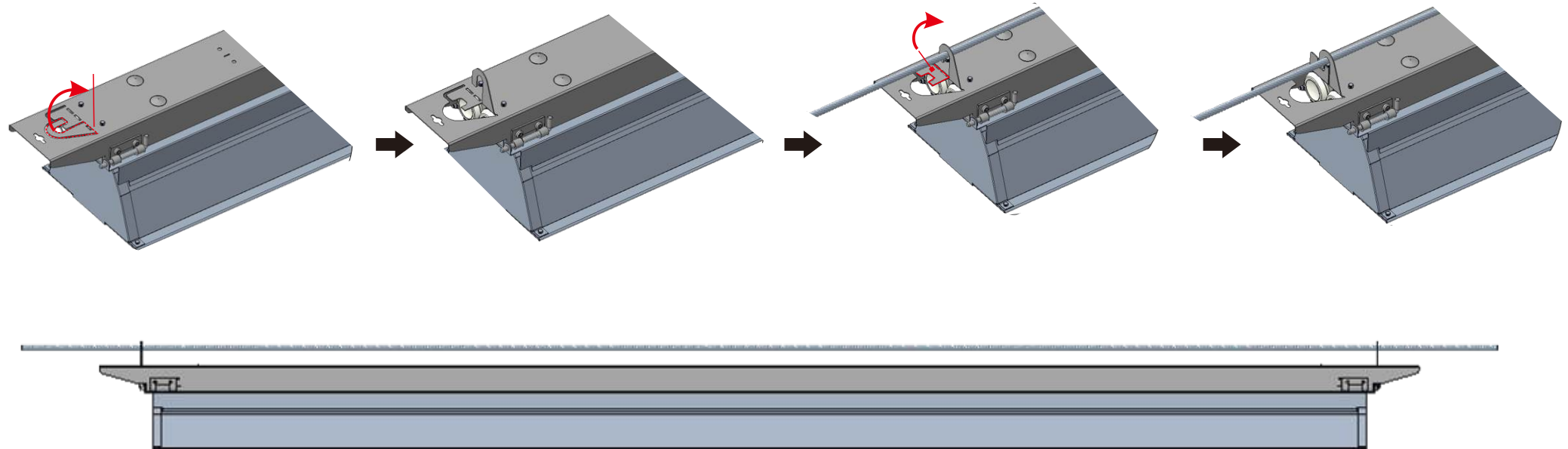
| Model No. | Size (mm) | Power | Efficiency (LM/W) | Lumen (LM) | CCT | CRI | Beam Angle | Light Source | LED Q'ty (SMD2835) | Input Voltage | Frequency (HZ) | Dimmable |
|----------------|-----------|-------|-------------------|------------|-------|-----|------------|--------------|--------------------|-----------------------------|----------------|----------|
| MP5A-M-65W | 1500 | 65W | 165 | 10725 | | >80 | 90° | SMD2835 | 140 | AC100-120V or AC220-240V | 50/60 | Non Dim |
| MP5A-M-80W | 1500 | 80W | 170 | 13600 | 4000K | >80 | 90° | SMD2835 | 210 | | 50/60 | Non Dim |
| MP5A-M-100W | 1500 | 100W | 173 | 17300 | 5000K | >80 | 90° | SMD2835 | 210 | | 50/60 | Non Dim |
| MP5A-M-125W | 1500 | 125W | 173 | 21625 | 6000K | >80 | 90° | SMD2835 | 210 | | 50/60 | Non Dim |
| MP5A-M-65WTDC | 1500 | 65W | 165 | 10725 | | >80 | 90° | SMD2835 | 140 | AC100-120V or AC220-240V | 50/60 | TDC |
| MP5A-M-80WTDC | 1500 | 80W | 170 | 13600 | 4000K | >80 | 90° | SMD2835 | 210 | | 50/60 | TDC |
| MP5A-M-100WTDC | 1500 | 100W | 173 | 17300 | 5000K | >80 | 90° | SMD2835 | 210 | | 50/60 | TDC |
| MP5A-M-125WTDC | 1500 | 125W | 173 | 21625 | 6000K | >80 | 90° | SMD2835 | 210 | | 50/60 | TDC |
| MP5A-N-65W | 1500 | 65W | 165 | 10725 | | >80 | 60° | SMD2835 | 140 | AC100-120V or AC220-240V | 50/60 | Non Dim |
| MP5A-N-80W | 1500 | 80W | 170 | 13600 | 4000K | >80 | 60° | SMD2835 | 210 | | 50/60 | Non Dim |
| MP5A-N-100W | 1500 | 100W | 173 | 17300 | 5000K | >80 | 60° | SMD2835 | 280 | | 50/60 | Non Dim |
| MP5A-N-125W | 1500 | 125W | 173 | 21625 | 6000K | >80 | 60° | SMD2835 | 280 | | 50/60 | Non Dim |
| MP5A-N-65WTDC | 1500 | 65W | 165 | 10725 | | >80 | 60° | SMD2835 | 140 | AC100-120V or AC220-240V | 50/60 | TDC |
| MP5A-N-80WTDC | 1500 | 80W | 170 | 13600 | 4000K | >80 | 60° | SMD2835 | 210 | | 50/60 | TDC |
| MP5A-N-100WTDC | 1500 | 100W | 173 | 17300 | 5000K | >80 | 60° | SMD2835 | 280 | | 50/60 | TDC |
| MP5A-N-125WTDC | 1500 | 125W | 173 | 21625 | 6000K | >80 | 60° | SMD2835 | 280 | | 50/60 | TDC |

Installation






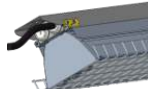
A. Ceiling mounted



B. Integrated Wirebracket Mounted



Other optional accessories

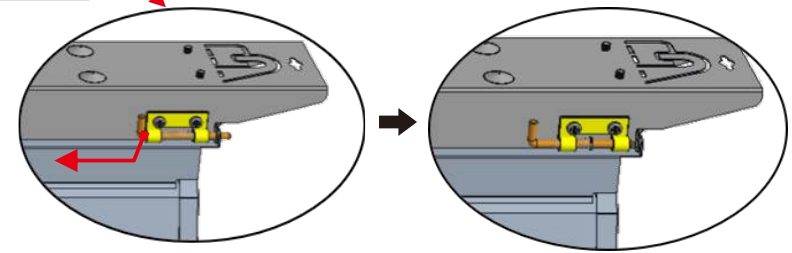
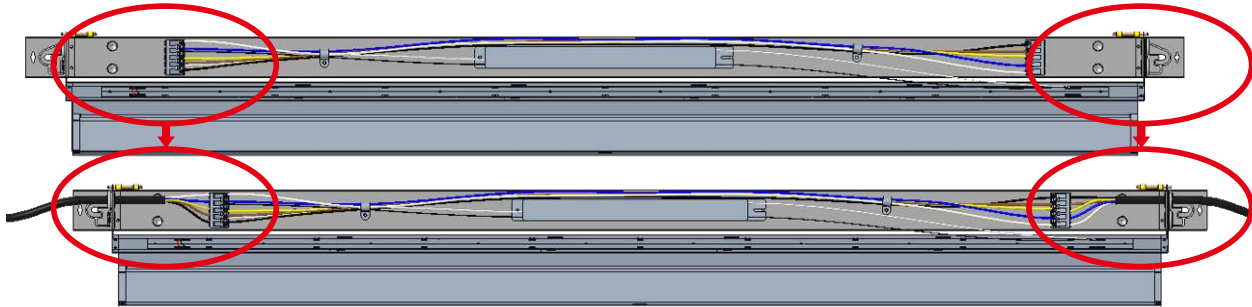
| Part Name | Picture | Quantity | Application | Application Picture |
|---|---|----------|--------------------------------------|---|
| Rail Bracket |  | 2 PCS | Track installation |  |
| Adjustable Bracket |  | 2 PCS | Adjust the beam angle |  |
| Protective Grille (For Sport Hall Application) |  | 1 PCS | Protect the lamp from ball-collision |  |

Wiring Guidance

- ① Pull the snap bolts on both sides to open the upper cover



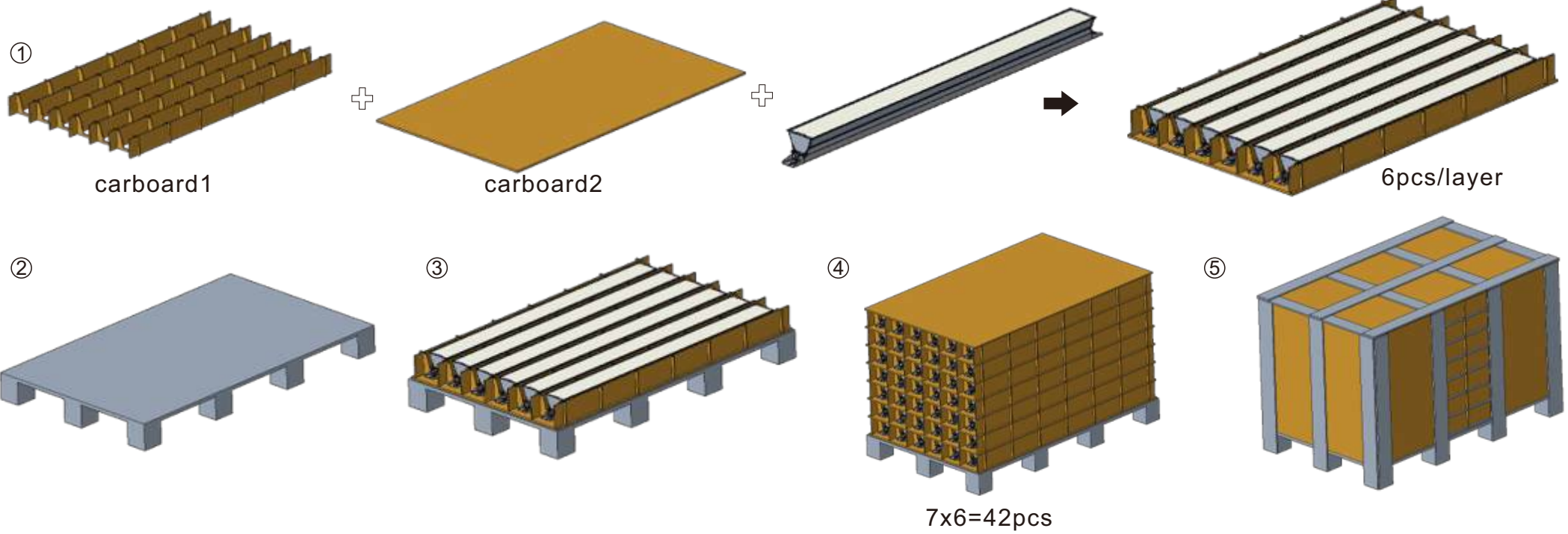
- ② Connect the wires to the terminal blocks



- ③ Close the cover



Package



| Model No. | N.W.(kg)/PCS | Packing Q'ty | N.W.(kg)/CTN | G.W.(kg)/CTN | Meas(mm) |
|---------------|--------------|--------------|--------------|--------------|-------------------|
| MP5A-M-80WTDC | 3.0 | 42pcs | 126.0 | 166.0 | L1800*W1050*H1690 |
| MP5A-M-80WTDC | 3.3 | 42pcs | 138.6 | 178.6 | L1800*W1050*H1690 |