



ZLC Lighting

IP66 Rated LED Linear Highbay

SPECIFICATION

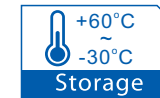




Product Brief

ZLC Type LED Linear High Bay lights is an innovative retrofit product for commercial, residential and industrial areas. Replaced of traditional HID Linear High Bay and save big with our energy efficient. It is perfect for high ceiling lighting used to Garages, Car Shops, Basements, Warehouses, Gymnasiums, Supermarket, Parking Lot, Factories, Farm Barns, adopted premium lumen SMD (Surface Mount Device) LEDs bring th best lighting available with an incredible 140lum/watt and provide a service life of over 100,000 hours.

Working Conditions



S/N Rules

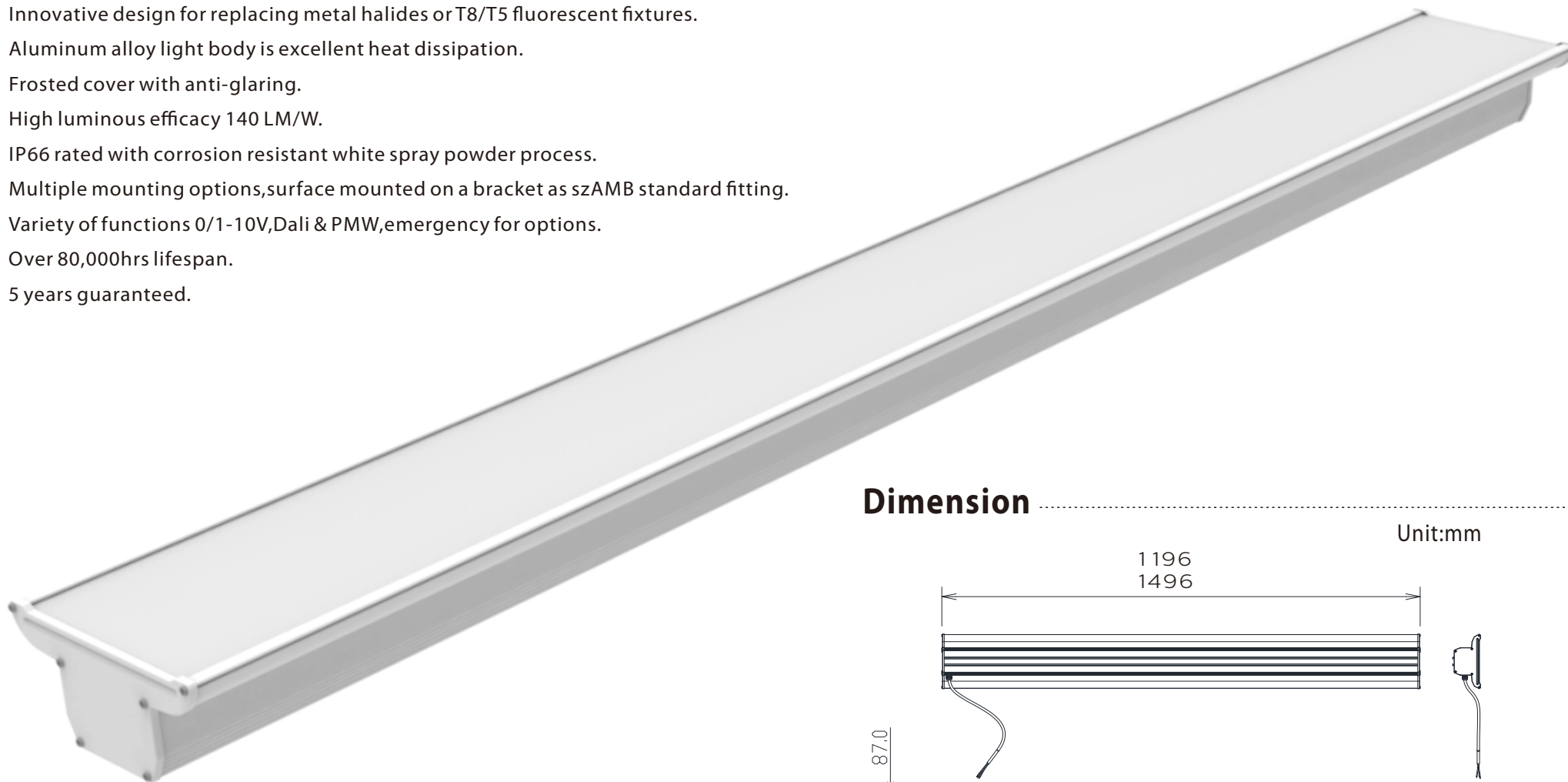
$\frac{ZL}{1} \frac{X}{2} \frac{C}{3} - \frac{XXW}{4} \frac{ND/VD}{5} \quad \{ \text{Ex } \frac{ZL}{1} \frac{5}{2} \frac{C}{3} - \frac{100W}{4} \frac{ND}{5} \}$

- ① ZL: Z Type Linear High Bay
- ② X(5): Length, 1500mm(5ft); 4: 1200mm(4ft) ...
- ③ C: Product Structure Series
- ④ XXW(100W): Power Consumption
- ⑤ ND: Non Dimmable VD: 0-10V Dimmable

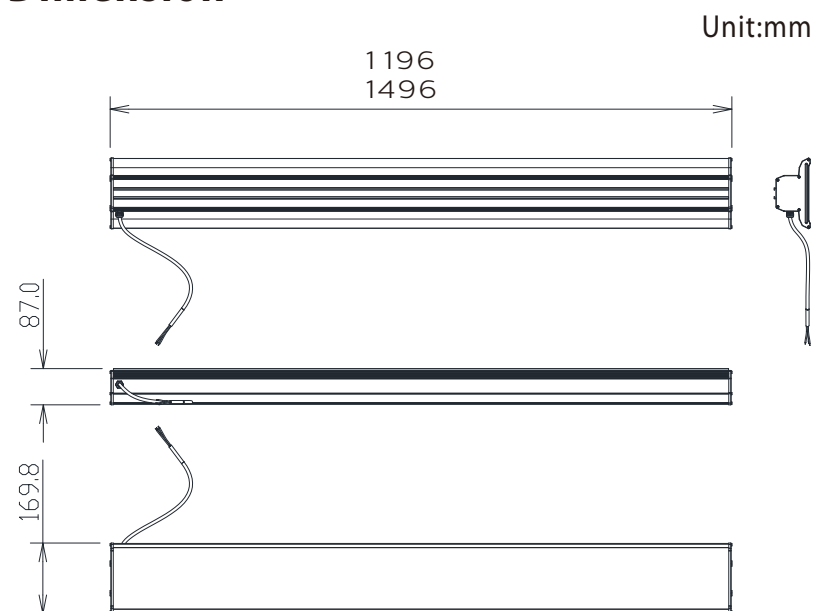


Features

- › Innovative design for replacing metal halides or T8/T5 fluorescent fixtures.
- › Aluminum alloy light body is excellent heat dissipation.
- › Frosted cover with anti-glaring.
- › High luminous efficacy 140 LM/W.
- › IP66 rated with corrosion resistant white spray powder process.
- › Multiple mounting options, surface mounted on a bracket as szAMB standard fitting.
- › Variety of functions 0/1-10V, Dali & PMW, emergency for options.
- › Over 80,000hrs lifespan.
- › 5 years guaranteed.



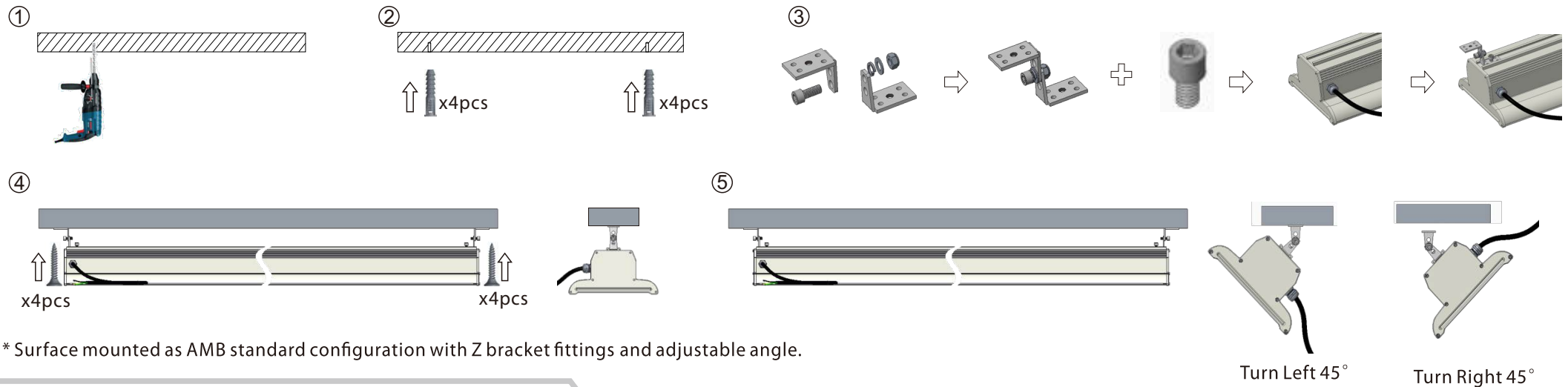
Dimension



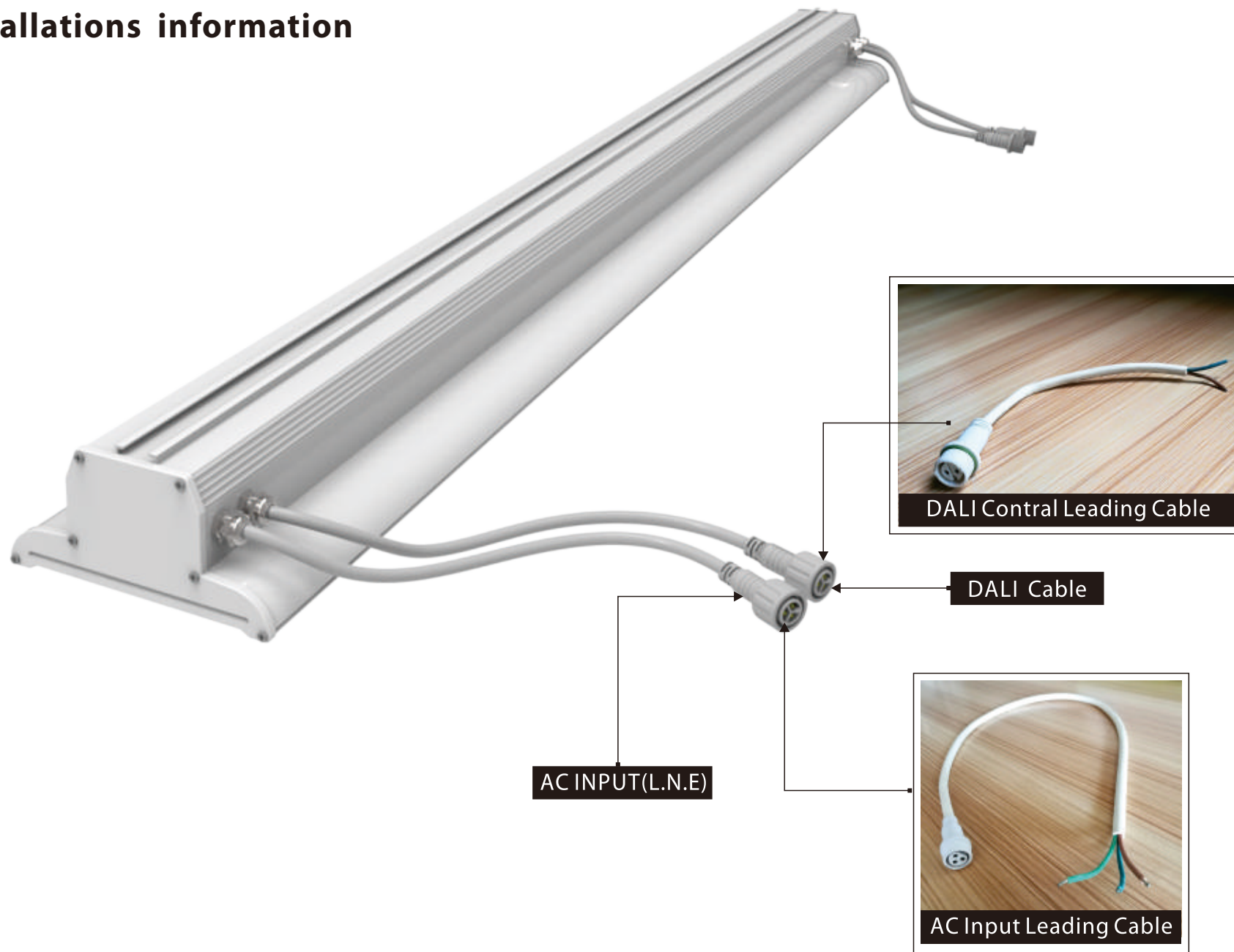
Technical Data

Model No.	Size (mm)	Power	Efficiency (LM/W)		Luminous		CRI	Beam Angle	LED Q'ty (SMD2835)	Input Voltage	Frequency (HZ)
			Frosted	Clear	Frosted	Clear					
MEANWELL Non Dimmable Driver											
ZL2C-50ND	600	50W	140	160	7000	8000	>80	120°	364	AC100-277V	47-63
ZL4C-84ND	1200	84W	140	160	11760	13440	>80	120°	864	AC100-277V	47-63
ZL4C-150ND	1200	150W	140	160	21000	24000	>80	120°	1008	AC100-277V	47-63
ZL5C-100ND	1500	100W	140	160	14000	16000	>80	120°	864	AC100-277V	47-63
ZL5C-150ND	1500	150W	140	160	21000	24000	>80	120°	1008	AC100-277V	47-63
ZL5C-200ND	1500	200W	140	160	28000	32000	>80	120°	1248	AC100-277V	47-63
MEANWELL Dali/0-10V Dimmable Driver											
ZL2C-50VD	600	50W	140	160	7000	8000	>80	120°	364	AC100-277V	47-63
ZL4C-84VD	1200	84W	140	160	11760	13440	>80	120°	864	AC100-277V	47-63
ZL4C-150VD	1200	150W	140	160	21000	24000	>80	120°	1008	AC100-277V	47-63
ZL5C-100VD	1500	100W	140	160	14000	16000	>80	120°	864	AC100-277V	47-63
ZL5C-150VD	1500	150W	140	160	21000	24000	>80	120°	1008	AC100-277V	47-63
ZL5C-200VD	1500	200W	140	160	28000	32000	>80	120°	1248	AC100-277V	47-63

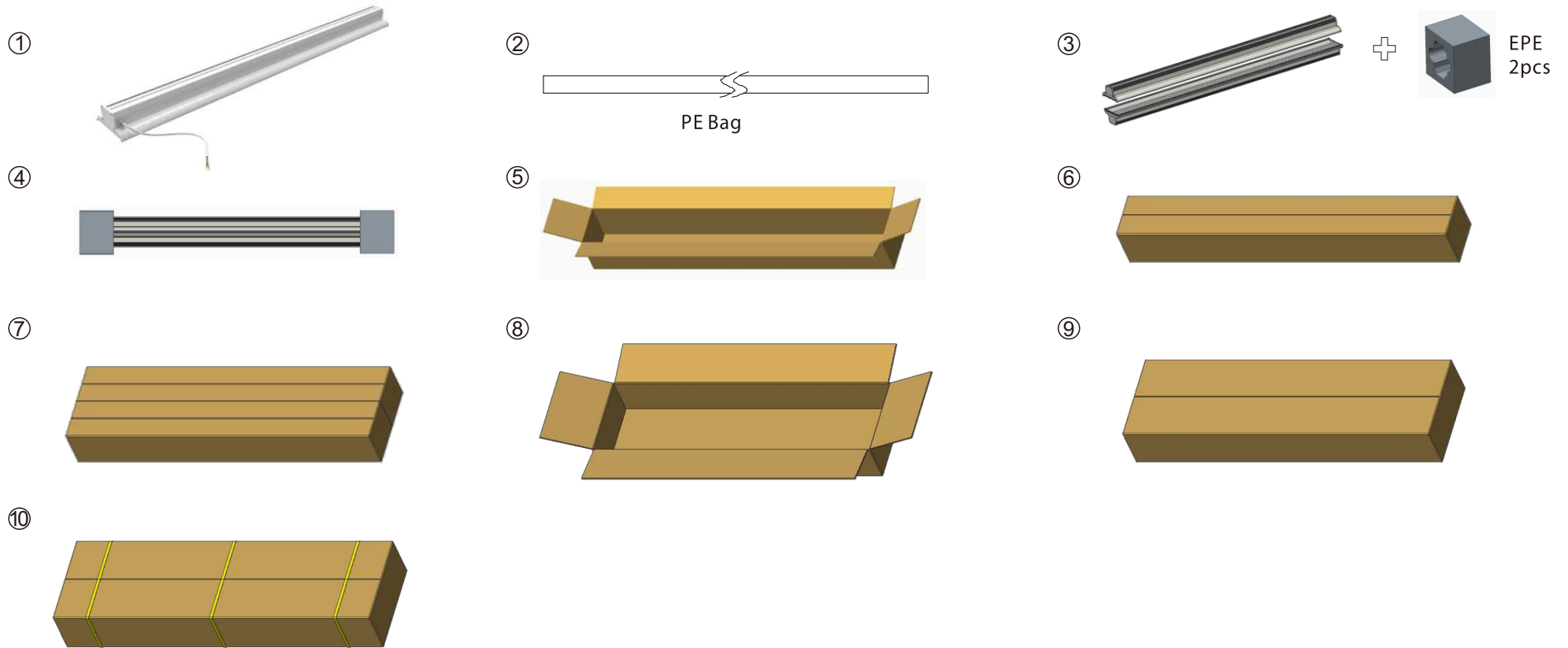
Installations



Installations information



Package



Model No.	N.W.(kg)/CTN	G.W.(kg)/CTN	Packing Q'ty	Carton Size(mm)	20'GP	40'GP	40'HQ
ZL2C-50W	12.5	20.5	4pcs	690*485*325	230CTNs	460CTNs	550CTNs
ZL4C-84W	22.0	30.0	4pcs	1290*485*325	120CTNs	240CTNs	300CTNs
ZL4C-150W	22.0	30.0	4pcs	1290*485*325	120CTNs	240CTNs	300CTNs
ZL5C-100W	25.1	33.0	4pcs	1590*485*325	105CTNs	210CTNs	255CTNs
ZL5C-150W	25.1	33.0	4pcs	1590*485*325	105CTNs	210CTNs	255CTNs
ZL5C-200W	26.5	34.5	4pcs	1590*485*325	105CTNs	210CTNs	255CTNs